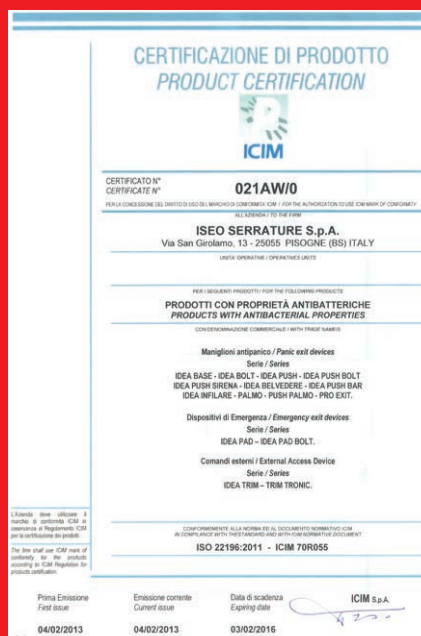




**Locks for
fire resistant
doors**



**DOUBLE
SAFETY:
NO PANIC,
NO BACTERIA**



In line with its attention to safety, ISEO has decided to add this measure to a device which is always present in public environments and in all those places where hygiene and healthcare is a basic requirement: hospitals, clinics, treatment homes, but also child care centres and nursery schools.

Therefore, the panic function is enriched with the antibacterial protection, AntiGerm*, whose performance is certified by Padova University Molecular Medicine Department.

The antibacterial treatment action is permanent and does not require special maintenance. The constant release of silver ions ensures top efficiency throughout the product life, even in case of surface scratches.

***Antibacterial protection for panic exit devices and accessories (except for Stainless steel/PVD finishes).**

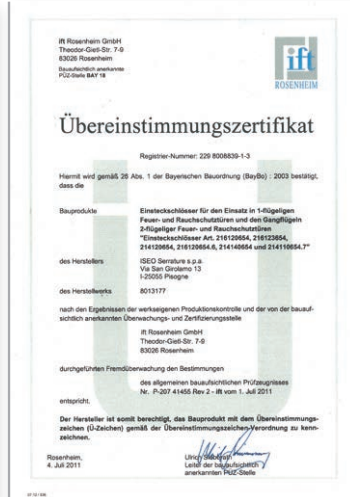
All ISEO panic and emergency exit devices with antibacterial coating AntiGerm have obtained the voluntary certification ICIM 021AW/O



Certifications



EN12209



Certifications for fire resistant locks 214* e 216* series

DIN 1825



EN 179



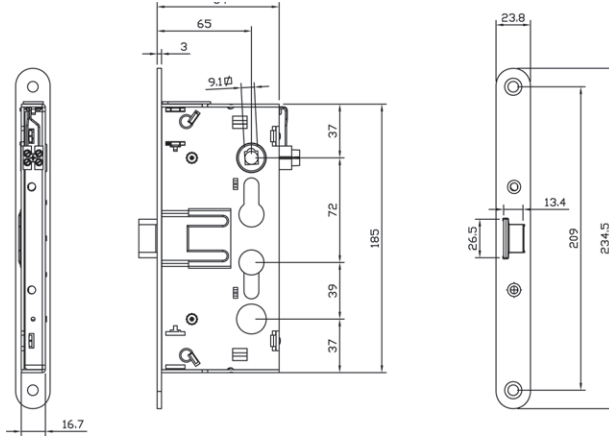
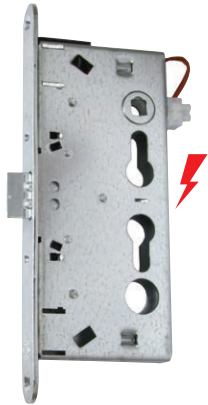
Certifications for fire resistant locks 214* and 212* series with emergency function, EN 179 standard



Code
Status
Single
package
Multiple
package
Min. ord.



Electric locks for fire resistant doors



LOCK FOR FIRE RESISTANT DOORS 12V AC/DC.

(EXTERNAL HANDLE). 1 lateral point, latchbolt only.

Panic exit follower enabled during electric pulse only.

Internal - external: the cylinder enables and disables the panic exit follower.

Front plate rounded, mm 24x3, zinc-plated.

Panic exit follower mm 9. Distance mm 72. Backset mm 65.

Single packaging

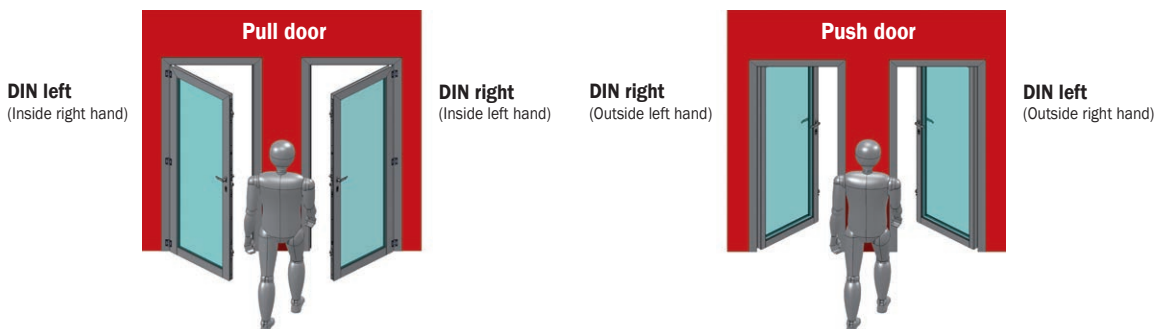
Right-handed

Left-handed

216930654.5D D 1 10 10

216930654.5S D 1 10 10

Conventional definition of door handing.

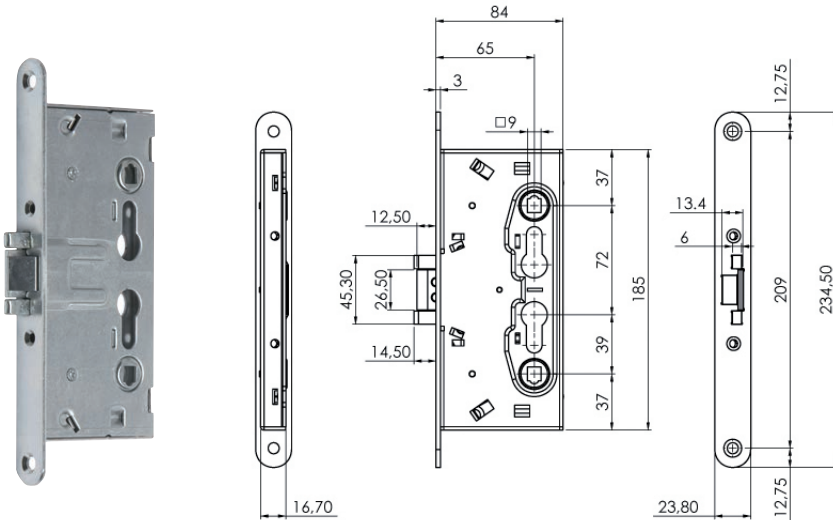




Code

Min. ord.
Multiple
package
Single
package
Status

Locks for fire resistant doors



LOCK FOR LEFT- AND RIGHT-HANDED FIRE RESISTANT DOORS.

1 lateral point, deadbolt and latchbolt.

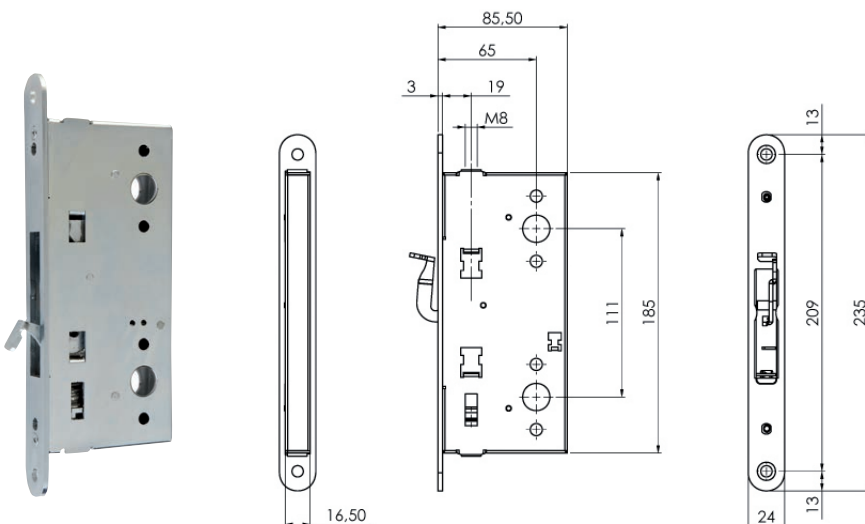
External and internal: the key operates both the deadbolt and latchbolt, the handle operates the latchbolt only.

Front plate rounded, mm 24x3, zinc-plated.

Handle follower mm 9. Distance mm 72. Backset mm 65.

Single packaging

216120654 B 1 10 10



COUNTERLOCK FOR LEFT- AND RIGHT-HANDED FIRE RESISTANT DOORS.

FLUSH BOLT function for secondary leaf. **Operation: rods operated by lever on front plate.**

Front plate rounded, mm 24x3, zinc-plated. The threaded rods are connected to the lock by screwing them inside the self fixing connection nut. Rods projection mm 17.

Backset mm 65.

Usable with locks 216***, 214***.

Single packaging

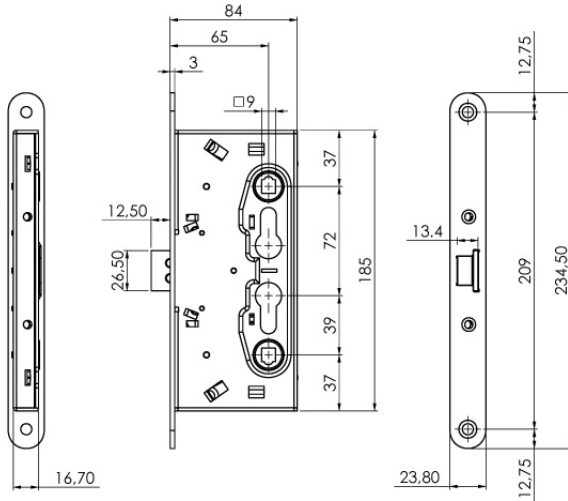
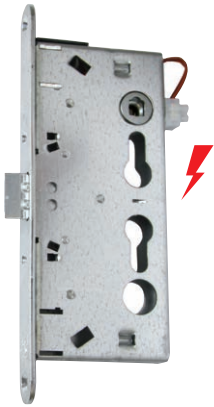
212000654 D 1 10 10



Code
Status
Single package
Multiple package
Min. ord.



Panic exit electric mortice locks



ELECTRIC LOCK FOR FIRE RESISTANT PANIC EXIT DOORS 12V AC/DC.

(EXTERNAL HANDLE). 1 lateral point, latchbolt only. Opening with external handle enabled during electric pulse only.

Internal: latchbolt operated by the panic exit device.

External: latchbolt operated by the handle only if enabled by the key or during electric pulse.

Front plate rounded, mm 24x3, zinc-plated.

Panic exit two-piece follower mm 9.

Distance mm 72. Backset mm 65.

Usable with panic exit devices art. 949000050379 - 9449****839.

Single packaging

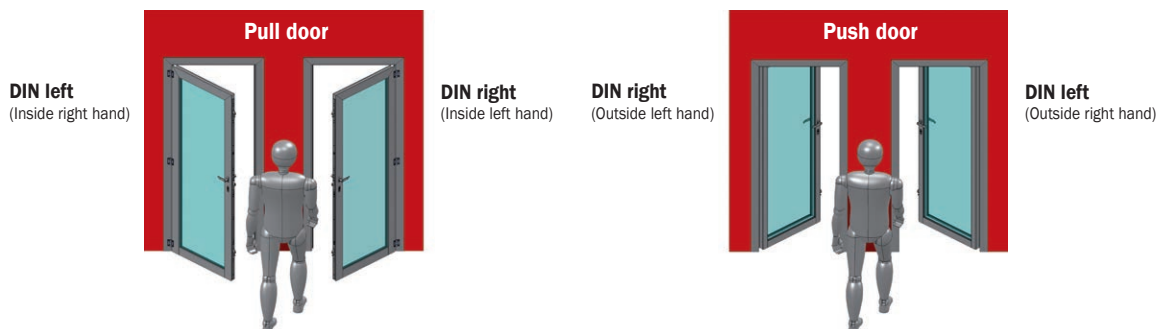
Right-handed

Left-handed

214910654..D D 1 10 10

214910654..S D 1 10 10

Conventional definition of door handing.



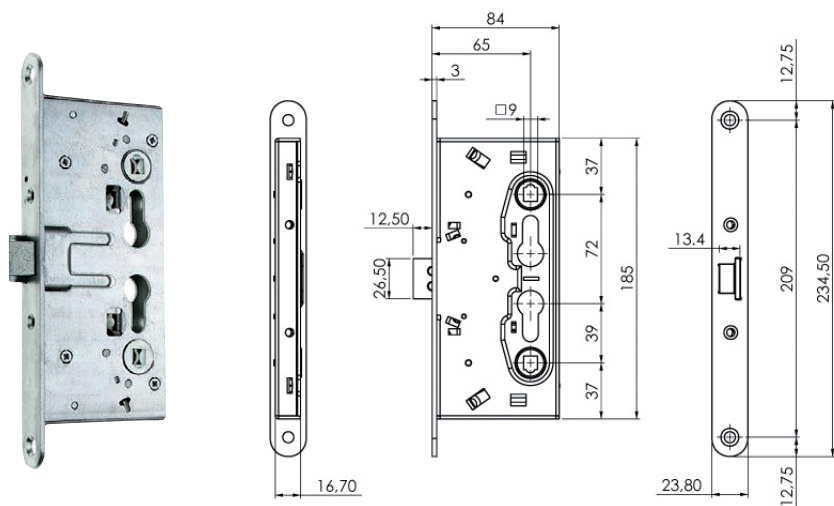


Code

Status
Single
package

Min. ord.

Panic exit mortice locks



LOCK FOR LEFT- AND RIGHT-HANDED FIRE RESISTANT PANIC EXIT DOORS

(EXTERNAL HANDLE). 1 lateral point, latchbolt only.

Internal: latchbolt operated by the panic exit device, by the handle or by the key.

**External: latchbolt operated by the key and by the handle
only if enabled by the key.**

Front plate rounded, mm 24x3, zinc-plated.

Panic exit two-piece follower mm 9. Distance mm 72. Backset mm 65.

Usable with panic exit devices art. 949000050379 - 9449***839.

Single packaging

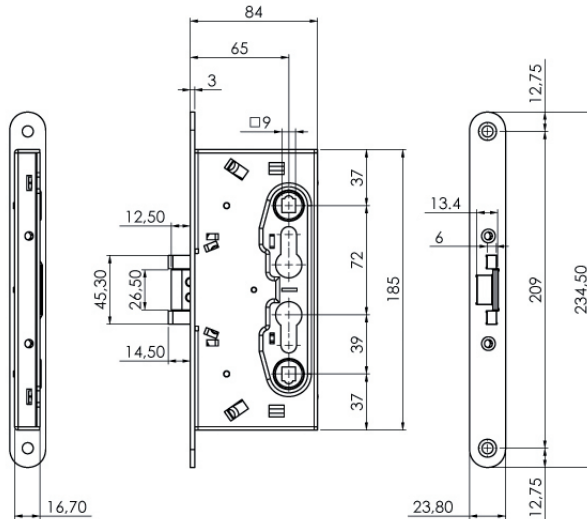
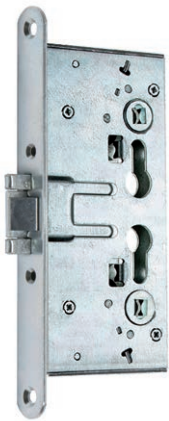
214110654 A 1 10 10



Code

Min. ord.
Multiple
package
Single
package
Status

Panic exit mortice locks



LOCK FOR LEFT- AND RIGHT-HANDED FIRE RESISTANT PANIC EXIT DOORS

(EXTERNAL FIXED KNOB). 1 lateral point, deadbolt and latchbolt.

Internal: deadbolt and latchbolt operated by the panic exit device, by the handle or by the key.

External: the key operates both the deadbolt and the latchbolt.

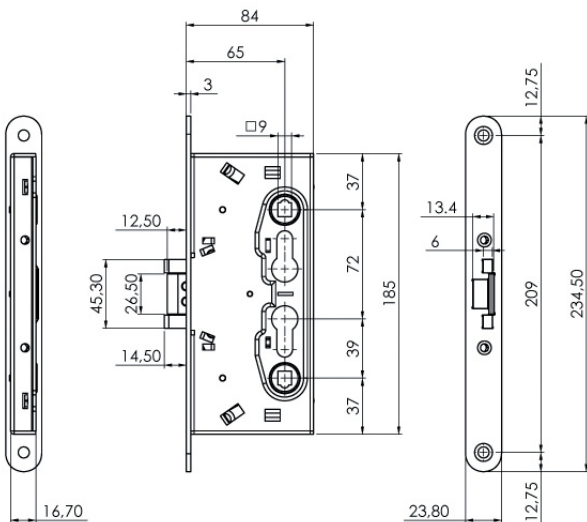
Front plate rounded, mm 24x3, zinc-plated.

Panic exit one-piece follower mm 9. Distance mm 72. Backset mm 65.

Usable with panic exit devices art. 949000050379 - 9449****839.

Single packaging

214140654 C 1 10 10



LOCK FOR LEFT- AND RIGHT-HANDED FIRE RESISTANT PANIC EXIT DOORS

(EXTERNAL HANDLE). 1 lateral point, deadbolt and latchbolt.

Internal: deadbolt and latchbolt operated by the panic exit device, by the handle or by the key.

External: the key operates both the deadbolt and the latchbolt, handle operates latchbolt only.

Front plate rounded, mm 24x3, zinc-plated.

Panic exit two-piece follower mm 9. Distance mm 72. Backset mm 65

Usable with panic exit devices art. 949000050379 - 9449****839.

Single packaging

214120654 B 1 10 10



Code

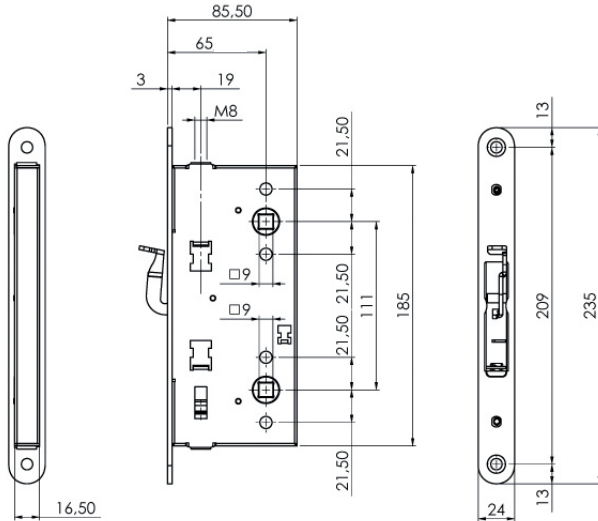
Status

Single
package

Multiple
package

Min. ord.

Panic exit counterlocks



COUNTERLOCK FOR REVERSIBLE LEFT- AND RIGHT HANDED FIRE RESISTANT PANIC EXIT DOORS.

FLUSH BOLT and **PANIC EXIT** function for secondary leaf. **Operation:** the panic exit device operates the rods and releases the latchbolt of the lock in the main leaf, the lever on the front plate operates the rods.

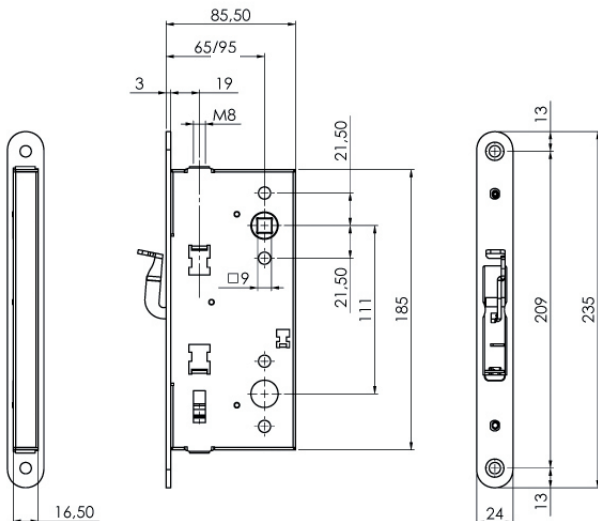
Front plate rounded, mm 24x3, zinc-plated.

The threaded rods are connected to the lock by screwing them inside the self fixing connection nut. Rods projection mm 17. Backset 65 mm.

Usable with locks 214***

Single packaging

212600654 D 1 10 10



COUNTERLOCK FOR NON REVERSIBLE LEFT- AND RIGHT HANDED FIRE RESISTANT PANIC EXIT DOORS.

FLUSH BOLT and **PANIC EXIT** function for secondary leaf. **Operation:** the panic exit device operates the rods and releases the latchbolt of the lock in the main leaf, the lever on the front plate operates the rods.

Front plate rounded, mm 24x3, zinc-plated.

The threaded rods are connected to the lock by screwing them inside the self fixing connection nut. Rods projection mm 17. Backset 65 mm.

Usable with locks 214***

Single packaging

212700654 D 1 10 10

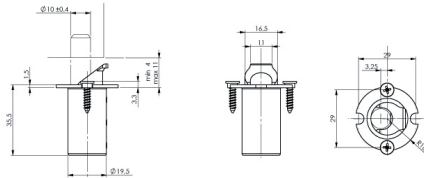
Code
Status
Single
package
Multiple
package
Min. ord.

Accessories



Flat, heavy striking plate, with rounded edge, for panic exit mortice locks.
ZINC-PLATED steel mm 235x24x3. For series: 216*214*

032094 B 10 - 10



Upper automatic relatching device for secondary leaf

032144 B - 10 10



Distance plate for upper automatic relatching device

mm 1

032714 D - 10 10

mm 2

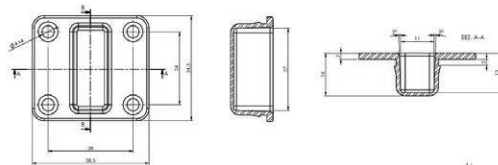
032724 D - 10 10



Distance plate for upper automatic relatching device

mm 2

032744 B - 10 10

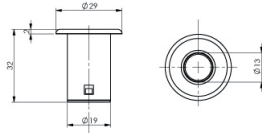


Rod hasp top for secondary leaf

032154 C - 10 10

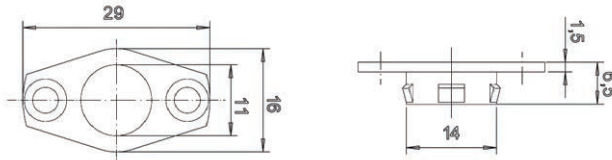
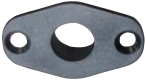
Code
Status
Single
package
Multiple
package
Min. ord.

Accessories



Floor strike cup for secondary leaf

032164 B - 10 10



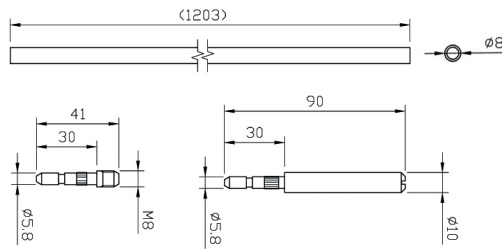
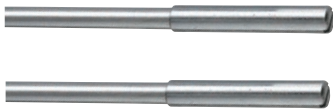
Rod hasp bottom for secondary leaf

032174 C - 10 10



Steel **plate for bottom rod hasp**, to be fixed
on **reversible secondary leaves**

032704 D - 10 10



Rods for counterlock/flush bolt

032184 B 1 - 1

