



Panic and emergency exit devices



**DOUBLE SAFETY:
NO PANIC,
NO BACTERIA**



In line with its attention to safety, ISEO has decided to add this measure to a device which is always present in public environments and in all those places where hygiene and healthcare is a basic requirement: hospitals, clinics, treatment homes, but also child care centres and nursery schools.

Therefore, the panic function is enriched with the antibacterial protection, AntiGerm*, whose performance is certified by Padova University Molecular Medicine Department.

The antibacterial treatment action is permanent and does not require special maintenance. The constant release of silver ions ensures top efficiency throughout the product life, even in case of surface scratches.

***Antibacterial protection for panic exit devices and accessories (except for Stainless steel/PVD finishes).**

All ISEO panic and emergency exit devices with antibacterial coating AntiGerm have obtained the voluntary certification ICIM 021AW/0





**Panic exit
devices**



Standard

EN 1125:2008

All panic exit devices in compliance with standard EN 1125 are conceived to be used in panic situations.

The aim of the standard requirements is mainly to ensure a reliable and safe evacuation through a door making use of the minimum effort and with a single swing of the door, without any prior knowledge of the door device.





How to read the marking **EN 1125:2008**

Not suitable for use on fire/smoke doors	3	7	6	0	1	4	2	2	A	A
Suitable for use on fire/smoke doors	3	7	6	B	1	4	2	2	A	A
	Category of use	Durability	Door mass	Suitability for use on fire/smoke resistant doors	People's safety	Corrosion resistance	Goods' security	Bar projection	Type of bar operation	Field of door application

Category of use. There is only one category which refers to a high frequency of use where there is little incentive to exercise care, i. e. where there is a chance of an accident and misuse.

Durability. There are two grades of durability.
 grade 6 = 100,000 operations
 grade 7 = 200,000 operations

Door mass. There are three door mass categories:
 grade 5 = up to 100 kg
 grade 6 = up to 200 kg
 grade 7 = over 200 kg

Suitability for use on fire/smoke resistant doors. There are three fire/smoke resistance categories:
 grade 0 = not suitable for fire/smoke resistant doors
 grade A = suitable for smoke resistant doors
 grade B = suitable for fire/smoke resistant doors

People's safety. There is only one category representing the maximum grade, since panic exit devices must ensure people's safety.

Corrosion resistance. There are two categories as per prEN1670:
 grade 3 = 96 h (high resistance)
 grade 4 = 240 h (very high resistance)

Goods' security. Only one grade of security shall be used: the security requirements are secondary to those of safety.

Bar projection. There are two categories:
 grade 1 = bar projection up to mm 150 (large projection)
 grade 2 = bar projection up to mm 100 (standard projection)

Type of bar operation. There are two types of operations:
 A = panic exit device with "push-bar" operation (Idea)
 B = panic exit device with "touch-bar" operation (Push-Bar)

Field of door application. There are three categories:
 A = single door, double door: active or inactive leaf
 B = single door only
 C = double door, inactive leaf only.

For further information please refer to EN1125:2008 standard.



Warning

The field of application of these panic exit devices is limited to following:

Maximum door mass	Maximum door height	Maximum door width	Temperature interval
200 Kg	2520 mm	1320 mm	-10 °C +60 °C

The limits indicated above are identified by EN1125 standard. ISEO Serrature declares that the performances of the devices and their accessories are in compliance with the requirements of the standard, for doors with mass max. 200 kg, height max. 3400 mm and width max. 1500 mm.

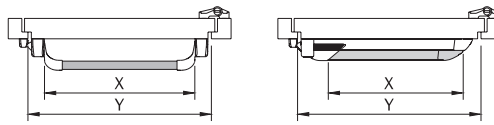


Fig. 1

The effective length (dimension X) of the bar shall be as near as possible to the effective width (dimension Y) of the door for which the device is intended, but never less than 60% (see Fig.1)
 The door leavers and frames must be made of a material with sufficient rigidity to ensure that any distortions that occur during use can not exceed 5 mm in any position. The device must be fitted to the door leaf using materials that guarantee a tensile strength for each screw of >1,5KN.

Products certifications

ISEO Serrature has been awarded by Warrington Certification Limited (WCL) the certificate of conformity with EN 1125:08 standard allowing to apply the CE mark on panic exit devices, compulsory from 01/04/2003.
 Idea panic exit devices have already obtained the Voluntary Product Certification by an independent organisation, ICIM, as provided for in EN 1125:08.
 The ICIM voluntary certification establishes stricter requirements than the CE mark.

All the updated certificates can be downloaded from our web site: www.iseoserrature.it

Example of product certification

warrington certification
 EC CERTIFICATE OF CONFORMITY
 Number: 1121 - CPD - AAA006

In compliance with Directive 89/106/EEC of the Council of European Communities of 21 December 1988 on the approximation of laws, regulations and administrative provisions of the Member States relating to construction products (Construction Products Directive - CPD), amended by the Directive 93/68/EEC of the Council of European Communities of 22 July 1993, it is confirmed that the following products are subject to factory production control procedures and are submitted by the manufacturer to further testing of samples taken at the factory in accordance with a prescribed test plan. The stated Notified Certification Body has performed the initial type-testing for the relevant characteristics of the product, has conducted the initial inspection of the factory and the factory production control, and is responsible for the continuous surveillance, assessment and approval of the factory production control.

Construction product: **Panic Exit Devices "IDEA" Series as detailed on pages 3 to 7**
 Placed on the market by: **ISEO Serrature S.p.a.**
 Company: **Via S. Girolamo 13, 25055 Pisogne (BS), Italy**
 Address:

Product classification: **3 7 6 B* 1 4 2 2 A A**
 Intended use: **For use on fire rated single leaf and double leaf escape route doors**

Product classification: **3 7 6 A* 1 4 2 2 A A**
 Intended use: **For use on non-fire rated single leaf and double leaf escape route doors**

This document certifies that all the provisions concerning the attestation of conformity and product performance described in Annex ZA of the product standard

BS EN 1125 : 2008

were applied and that the product fulfils all the prescribed requirements.

Notified Certification Body: **Warrington Certification Ltd** EC Reference Number: **1121**

This certificate was first issued on **02/07/2009** and remains valid as long as the conditions laid down in the harmonised technical specification above, or the product design, or the manufacturing conditions in the factory, or the FPC itself are not modified significantly, or at the latest **01/07/2014**.

CE Manager - Warrington Certification Ltd.

References:
 Mechanical test evidence: **ICIM 51/08, 52/08, 53/08, 54/08, 55/08, 57/08, 59/08** Fire test evidence: **Institute Giordano 161718**
 Factory references: **F01** Classification report:

ACCREDIA
 CERTIFICAZIONE DI PRODOTTO
 PRODUCT CERTIFICATION

ICIM

CERTIFICATO N° **077AD/2**
 CERTIFICATE N°

PER LA CONCESSIONE DEL DIRITTO D'USO DEL MARCHIO DI CONFORMITÀ ICIM / FOR THE AUTHORIZATION TO USE ICIM MARK OF CONFORMITY

ALL'AZIENDA / TO THE FIRM
ISEO SERRATURE S.p.a.
 Via San Girolamo, 13
 PISOONE (BS) ITALY
 UNITA' OPERATIVE / OPERATIVES UNITS

PER I SEGUENTI PRODOTTI / FOR THE FOLLOWING PRODUCTS
DISPOSITIVI ANTIPANICO PER USCITE DI SICUREZZA AZIONATI MEDIANTE UNA BARRA ORIZZONTALE PANIC EXIT DEVICES

CON DENOMINAZIONE COMMERCIALE / WITH TRADE NAME/S
 Serie IDEA-PUSH con scrocco in acciaio mod. I 9421084**T, 9422084**T, 9423084**T, 9424084**T, 942117**T, 942217**T, 942317**T, 942417**T, 9424130**T
 kit IDEA-PUSH con scrocco in acciaio mod. I 9425084**T, 9426084**T, 9427084**T, 9428084**T, 9429084**T

Serie IDEA-PUSH-BOLT con scrocco in acciaio mod. I 9452084**4, 9453084**4, 9452117**4, 9453117**4, 9452130**4, 9453130**4
 kit IDEA-PUSH-BOLT scrocco in acciaio mod. I 9455084**4, 9455117**4

ACCESSORI mod. I 9410001**04, 9410003**04, 9410020, 9410030, 9410030*, 9410040, 9410040*, 9410010*, 9410011*, 9410012*, 9410014*, 9410017*, 9410040, 9410042, 9410042*, 9410050, 9410052, 9410201**04, 9410203**04, 9410204**04, 9430009*, 9430012*, 9430020*, 9430030*, 9400030, 9420069*.

CONFORMITÀ ALLA NORMA ED AL DOCUMENTO NORMATIVO ICIM
 IN COMPLIANCE WITH THE STANDARD AND WITH ICIM NORMATIVE DOCUMENT

UNI EN 1125:08 - ICIM 70R010

CON CLASSIFICAZIONE / WITH CLASSIFICATION
3 7 6 B 1 4 2 2 A A

L'Azienda deve utilizzare il marchio di conformità ICIM in osservanza di Regolamento ICIM per la certificazione dei prodotti.
 The firm shall use ICIM mark of conformity for the products according to ICIM Regulation for products certification.

Prima Emissione / First issue: **16/12/2004**
 Emissione corrente / Current issue: **31/07/2012**
 Data di scadenza / Expiring date: **15/12/2013**

ICIM S.p.a.



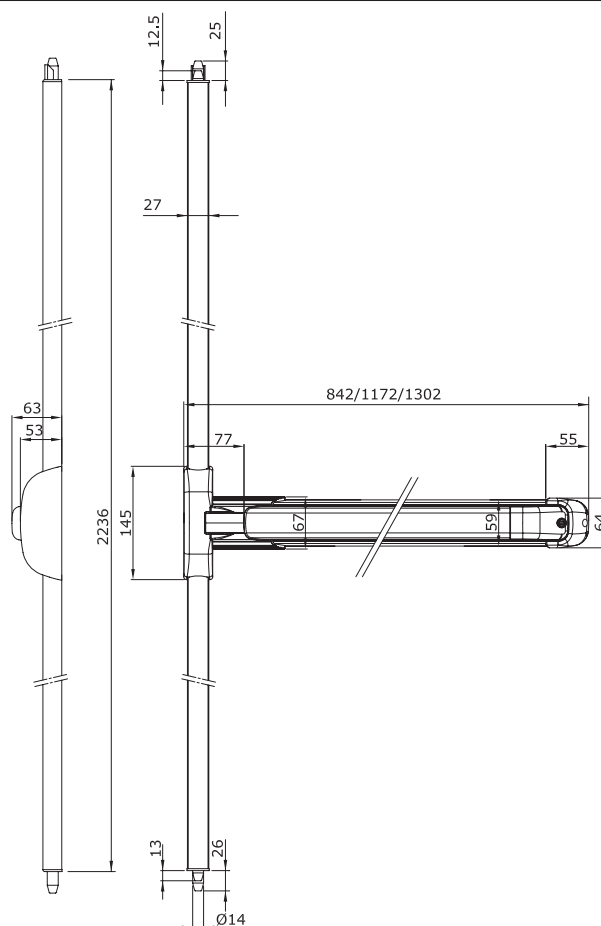
Code

Status
Single package
Multiple package

Min. ord.



Push-Bolt



“Push Bolt” panic exit device, **DOUBLE VERTICAL LOCKING**, reversible, shortenable to mm 330. Keeps for rods. Bolt keep. Self-locking top/bottom rods.

Nylon spacer. Template.

Assembly instructions.

To be ordered separately:

Rods and covers 9430020* for doors mm 2400.

Rods and covers 9430030* for doors mm 3400.

External control 9401*

External cylinder 859000857/9

Microswitch 94100060

Hold-open kit 94100070

Kit of gaskets for fire resistant doors 9400030

Length mm 840 chassis painted black and bar painted red	9452084584	D	1	-	1	YES
Length mm 1170 chassis painted black and bar painted red	9452117584	D	1	-	1	YES
Length mm 1300 chassis painted black and bar painted red	9452130584	D	1	-	1	YES

WHITE AND GREY ON REQUEST (es. white 945*****444**, grey 9424*****334**)

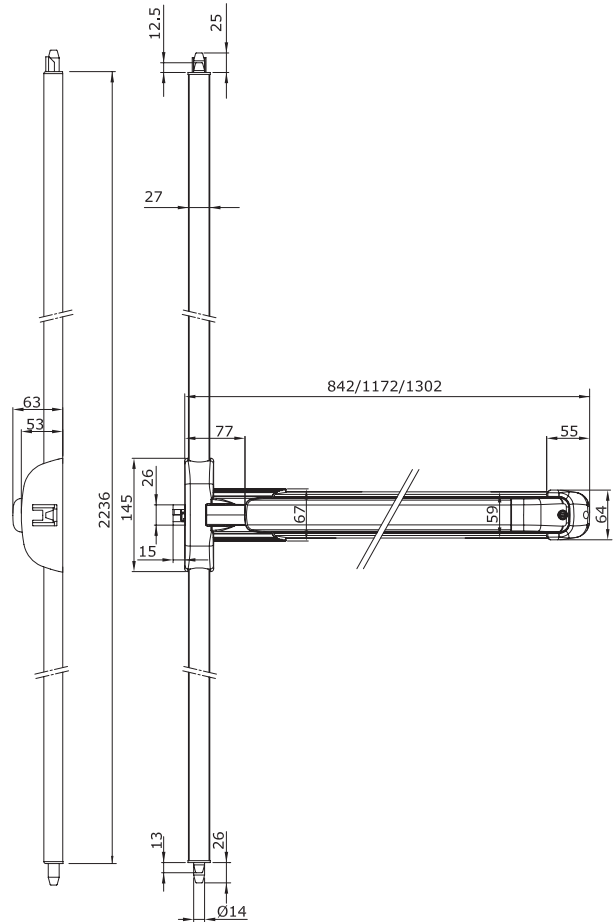


Code

Min. ord.
Multiple
package
Single
package
Status



Push-Bolt



“Push Bolt” panic exit device, **TRIPLE LOCKING**, reversible, shortenable to mm 330. Self-locking steel latch. Keeps for rods. Bolt keep. Lateral keep. Self-locking top/bottom rods. Nylon spacer. Template. Assembly instructions.

To be ordered separately:

- Rods and covers 9430020* for doors mm 2400.
- Rods and covers 9430030* for doors mm 3400.
- External control 9401*
- External cylinder 859000857/9
- Microswitch 94100060
- Hold-open kit 94100070
- Kit of gaskets for fire resistant doors 94000030

Length mm 840 chassis painted black and bar painted red	9453084584	D	1	-	1	YES
Length mm 1170 chassis painted black and bar painted red	9453117584	D	1	-	1	YES
Length mm 1300 chassis painted black and bar painted red	9453130584	D	1	-	1	YES

WHITE AND GREY ON REQUEST (es. white 945******444**, grey 9424******334**)



Code

Status
Single
package
Multiple
package
Min. ord.



Accessories


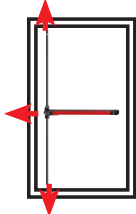

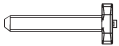








Rods and covers. One keep for two wings, without spacers.
Cap for bar lateral latch.



For doors with maximum height mm 2400 painted grey	94300203	C	5	-	5	YES
For doors with maximum height mm 2400 painted white	94300204	D	5	-	5	YES
For doors with maximum height mm 2400 painted black	94300205	B	5	-	5	YES
For doors with maximum height mm 3400 painted grey	94300303	D	5	-	5	YES
For doors with maximum height mm 3400 painted white	94300304	D	5	-	5	YES
For doors with maximum height mm 3400 painted black	94300305	C	5	-	5	YES

Push-Bolt: application scheme for single leaf doors

			
9452*		*	
9453*		*	
94300205 BOLT 94300305 BOLT		*	●
94011005T 94011015T 94012005T 94013005T 94014005T 94015005T 94021005T 85900085X	  	*	*
94091105E		○	*
94100060		○	○

● = Necessary items (● ● = 2 pcs, ● ● ● = 3 pcs)

* = Choose one item only

○ = Optional items (○ ○ = 2 pcs, ○ ○ ○ = 3 pcs)

Push-Bolt: application scheme for double doors

9452*				
94241*				
9410203504				
94300205 BOLT 94300305 BOLT				
94100205 94100305				
56800**				
94011005T 94021025 94011015T 94021035D 94012005T 94021035S 94013005T 94014005T 94015005T 94021005T 85900085X				
94091105E				
94100060				

- = Necessary items (● ● = 2 pcs, ● ● ● = 3 pcs)
- * = Choose one item only
- = Optional items (○ ○ = 2 pcs, ○ ○ ○ = 3 pcs)

