



**Panic and emergency exit devices**



**DOUBLE SAFETY:  
NO PANIC,  
NO BACTERIA**



In line with its attention to safety, ISEO has decided to add this measure to a device which is always present in public environments and in all those places where hygiene and healthcare is a basic requirement: hospitals, clinics, treatment homes, but also child care centres and nursery schools.

Therefore, the panic function is enriched with the antibacterial protection, AntiGerm\*, whose performance is certified by Padova University Molecular Medicine Department.

The antibacterial treatment action is permanent and does not require special maintenance. The constant release of silver ions ensures top efficiency throughout the product life, even in case of surface scratches.

**\*Antibacterial protection for panic exit devices and accessories (except for Stainless steel/PVD finishes).**

**All ISEO panic and emergency exit devices with antibacterial coating AntiGerm have obtained the voluntary certification ICIM 021AW/0**





## **Pad**

**Emergency exit  
devices with  
pushing plate**





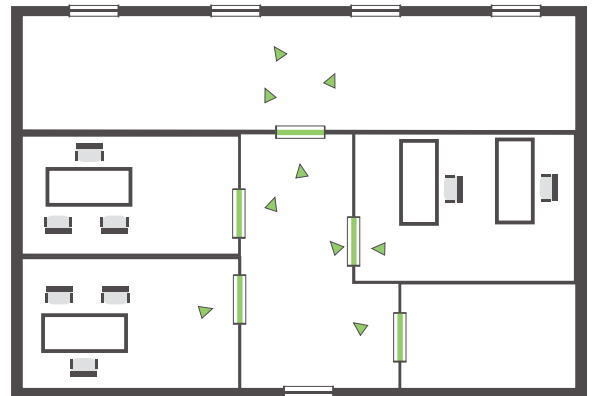
## Standard

---

### EN 179:2008

Emergency exit devices in compliance with standard EN 179 are conceived to be used where there is a very low probability for panic situations to happen, people are aware of the use of the emergency exit device and qualified for it.

The aim of the standard requirements is mainly to ensure a reliable and safe evacuation through a door making use of the minimum effort, even though a prior knowledge of the door device might be necessary.





**Pad: how to read the marking EN 179:2008**

Not suitable for use on fire/smoke doors	3	7	6	0	1	4	4	2	B	A
Suitable for use on fire/smoke doors	3	7	6	B	1	4	4	2	B	A
	Category of use	Durability	Door mass	Suitability for use on fire/smoke resistant doors	People's safety	Corrosion resistance	Goods' security	Bar projection	Type of bar operation	Field of door application

**Category of use.** There is only one category which refers to a high frequency of use where there is little incentive to exercise care, i. e. where there is a chance of an accident and misuse.

**Durability.** There are two grades of durability:  
 grade 6 = 100,000 operations  
 grade 7 = 200,000 operations

**Door mass.** There are three door mass categories:  
 grade 5 = up to 100 kg  
 grade 6 = up to 200 kg  
 grade 7 = over 200 kg

**Suitability for use on fire/smoke resistant doors.** There are three fire/smoke resistance categories:  
 grade 0 = not suitable for fire/smoke resistant doors  
 grade A = suitable for smoke resistant doors  
 grade B = suitable for fire/smoke resistant doors

**People's safety.** All emergency exit devices have a critical safety function: only top grade is identified for the purposes of this European standard.

**Corrosion resistance.** There are two categories as per prEN1670:  
 grade 3 = 96 h (high resistance)  
 grade 4 = 240 h (very high resistance)

**Goods' security.** There are four categories:  
 grade 2 = durability 1000 N  
 grade 3 = durability 2000 N  
 grade 4 = durability 3000 N  
 grade 5 = durability 5000 N

**Projection of bar.** There are two categories:  
 grade 1 = bar projection up to mm 150 (large projection)  
 grade 2 = bar projection up to mm 100 (standard projection)

**Type of bar operation.** There are 2 types of operations:  
 A = emergency exit device with "lever handle" operation  
 B = emergency exit device with "push pad" operation

**Field of door application.** There are four categories:  
 A = outwardly opening single exit door, double exit door: active or inactive leaf  
 B = outwardly opening single exit door only  
 C = outwardly opening double exit door: inactive leaf only  
 D = inwardly opening single exit door only.

**For further information please refer to EN179:2008 standard.**



## Warning

The field of application of these panic exit devices is limited to following:

Maximum door mass	Maximum door height	Maximum door width	Temperature interval
200 Kg	2520 mm	1320 mm	-10°C +60°C

The limits indicated above are identified by EN1125 standard. ISEO Serrature declares that the performances of the devices and their accessories are in compliance with the requirements of the standard, for doors with mass max. 200 kg, height max. 3400 mm and width max. 1320 mm..

The door leavers and frames must be made of a material with sufficient rigidity to ensure that any distortions that occur during use can not exceed 5 mm in any position. The device must be fitted to the door leaf using materials that guarantee a tensile strength for each screw of >1,5KN.

## Products certifications

Iseo Serrature has been awarded by Warrington Certification Limited (WCL) the certificate of conformity with EN 179:2008 standard allowing to apply the CE mark on panic exit devices, compulsory from 01/04/2003. Idea panic exit devices have already obtained the Voluntary Product Certification by an independent organisation, ICIM, as provided for in EN 179:2008. The ICIM voluntary certification establishes stricter requirements than the CE mark.

All the updated certificates can be downloaded from our web site: [www.iseoserrature.it](http://www.iseoserrature.it)

Example of product certification.

**warrington certification** Page 1 of 3

**EC CERTIFICATE OF CONFORMITY**  
Number: 1121 - CPD - ABB016

In compliance with Directive 89/106/EEC of the Council of European Communities of 21 December 1988 on the approximation of laws, regulations and administrative provisions of the Member States relating to construction products (Construction Products Directive - CPD), amended by the Directive 93/68/EEC of the Council of European Communities of 22 July 1993, it is confirmed that the following products are subject to factory production control procedures and are submitted by the manufacturer to further testing of samples taken at the factory in accordance with a prescribed test plan. The stated Notified Certification Body has performed the initial type-testing for the relevant characteristics of the product, has conducted the initial inspection of the factory and the factory production control, and is responsible for the continuous surveillance, assessment and approval of the factory production control.

Construction product : **Emergency Exit Devices "IDEA-PAD" Series as detailed on pages 2**

Placed on the market by:  
Company: **ISEO Serrature S.p.a.**  
Address: **Via S. Girolamo 13, 25055 Pisogne (BS), Italy**

Product classification: **3 7 6 B\* 1 4 4 2 B A**

Intended use: **For use on fire rated single leaf and double leaf escape route doors**

Intended use: **For use on non-fire rated single leaf and double leaf escape route doors**

This document certifies that all the provisions concerning the attestation of conformity and product performance described in Annex ZA of the product standard

**BS EN 179 : 2008**

were applied and that the product fulfills all the prescribed requirements.

Notified Certification Body: **Warrington Certification Ltd** EC Reference Number: **1121**

This certificate was first issued on 02/07/2009 and remains valid as long as the conditions laid down in the harmonised technical specification above, or the product design, or the manufacturing conditions in the factory, or the FPC itself are not modified significantly, or at the latest 01/07/2014.

**CE** Manager - Warrington Certification Ltd.

References:  
Mechanical test evidence: ICIM 51/08, 52/08, 53/08, 54/08, 55/08, 57/08, 59/08  
Fire test evidence: Istituto Giordano 161718  
Factory references: F001  
Classification report:

\* The referenced reports detail the precise field of application for fire/smoke door use

**ACCREDIA**

**CERTIFICAZIONE DI PRODOTTO**  
**PRODUCT CERTIFICATION**

**ICIM**

CERTIFICATO N° **075BD/2**  
CERTIFICATE N°

PER LA CONCESSIONE DEL DIRITTO DI USO DEL MARCHIO DI CONFORMITÀ ICIM / FOR THE AUTHORIZATION TO USE THE MARK OF CONFORMITY

ALL AZIENDA / TO THE FIRM:

**ISEO SERRATURE S.p.a.**  
Via San Girolamo, 13  
PISOGNE (BS) ITALY

UNITA OPERATIVE / OPERATIVES UNITS

PER I SEGUENTI PRODOTTI / FOR THE FOLLOWING PRODUCTS:

**DISPOSITIVI PER USCITE DI EMERGENZA AZIONATI MEDIANTE MANIGLIA A LEVA O PIASTRA A SPINTA**  
**EMERGENCY EXIT DEVICES OPERATED BY A LEVER HANDLE OR PUSH PAD**

— CON DENOMINAZIONE COMMERCIALE / WITH TRADE NAME:

Serie IDEA-PAD con scrocco in acciaio mod. I 9461000\*4, 9464000\*4, 9462020\*4, 9463020\*4, 9464020\*4, 9466020\*4, 9467020\*4,  
Serie IDEA-PAD INOX con scrocco in acciaio inox mod. I 9464000\*4, 9462020\*4, 9463020\*4, 9466020\*4,  
Serie IDEA-PAD BOLT con scrocco in acciaio mod. I 9472020\*4, 9473020\*4,  
Serie IDEA-PAD BOLT INOX con scrocco in acciaio inox mod. I 9472020\*4, 9473020\*4

ACCESSORI 9410001\*04, 9410003\*04, 9410201\*04, 9410201\*24, 9410203\*04, 9410203\*24, 9410204\*04, 9410204\*24, 9410020\*, 9410030\*, 9410040\*, 9410040\*, 94100040, 94100042, 94100050, 94100052, 9410010\*, 9410011\*, 9410012\*, 9410014\*, 9410017\*, 9430009\*, 9430012\*, 9430020\*, 9430030\*, 94000030.

CONFORMITÀ ALLA NORMA ED AL DOCUMENTO NORMATIVO ICIM  
IN COMPLIANCE WITH THE STANDARD AND WITH ICIM NORMATIVE DOCUMENT

**UNI EN 179-08 - ICIM 70R020**

CON CLASSIFICAZIONE / WITH CLASSIFICATION:

**3 | 7 | 6 | B | 1 | 4 | 4 | 2 | B | A**

L'azienda deve utilizzare il marchio di conformità ICIM in osservanza al Regolamento ICIM per la certificazione obbligatoria.  
The firm shall use ICIM mark of conformity for the products according to ICIM Regulation for product certification.

Prima Emissione / First Issue: **20/07/2006**  
Emissione corrente / Current Issue: **20/07/2012**  
Data di scadenza / Expiring date: **19/07/2015**

ICIM S.p.A.



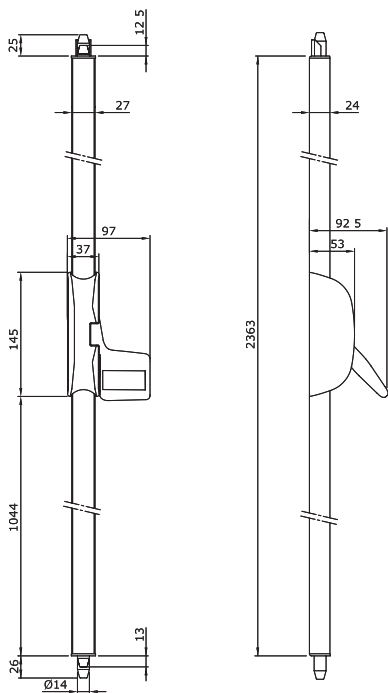
Code

Status  
Single package  
Multiple package

Min. ord.



## Pad-Bolt



Emergency exit device "Pad Bolt" operated by means of **PUSHING PLATE FOR FIRE RESISTANT DOORS, WITH DOUBLE VERTICAL LOCKING**, reversible. Rods and covers for a maximum height of mm 2400. Keeps for rods. Bolt keep. Self-locking top and bottom rods. Template. Assembly instructions. Fixing screws.

Can be used in conjunction with:

External control 9401\*

External cylinder 859000857/9

Rods and covers 9430030\* for doors mm 3400.

Kit of thermoexpanding gaskets 94000030

Painted grey	<b>9472020304</b>	B	1	-	1	YES
Painted white	<b>9472020404</b>	D	1	-	1	YES
Painted black	<b>9472020504</b>	C	1	-	1	YES



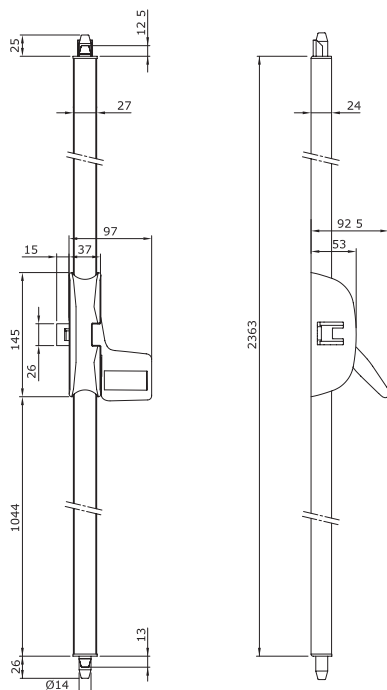
Code

Status  
Single package  
Multiple package

Min. ord.



## Pad-Bolt



Emergency exit device "Pad Bolt" operated by means of **PUSHING PLATE FOR FIRE RESISTANT DOORS, WITH TRIPLE VERTICAL LOCKING**, reversible. Rods and covers for a maximum height of mm 2400.

Keeps for rods. Bolt and lateral keeps. Self-locking top and bottom rods.

Template. Assembly instructions. Fixing screws.

Can be used in conjunction with:

External control 9401\*

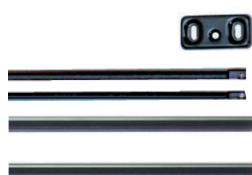
External cylinder 859000857/9

Rods and covers 9430030\* for doors mm 3400.

Kit of thermoexpanding gaskets 94000030

Painted grey	<b>9473020304</b>	D	1	-	1	YES
Painted white	<b>9473020404</b>	D	1	-	1	YES
Painted black	<b>9473020504</b>	D	1	-	1	YES

## Accessories



**Rods and covers.** One keep for two wings, without spacers. Cap for bar lateral latch.

For doors with maximum height mm 3400 Painted grey	<b>94300303</b>	D	5	-	5	YES
For doors with maximum height mm 3400 Painted white	<b>94300304</b>	D	5	-	5	YES
For doors with maximum height mm 3400 Painted black	<b>94300305</b>	C	5	-	5	YES



